



# TC-1000PL

## ATX Switching Power Supply



EPS 12V    ATX 12V

### - ELECTRICAL SPECIFICATIONS -

#### Specification

Form Factor	EPS 12V
Input Voltage	100~240V Full Range
Input Frequency	47Hz~63Hz

#### Output Rating

Total Watts	1000 watts
+5V	35A
+12V1,12V2,12V3,12V4	16A/16A/16A/16A
+3.3V	30A
+5V & +3.3V	48A
+5V & +3.3V & 12V	980 watts
PFC	Active
Efficiency	≈76%
Regulation	±5%

#### Connectors

Cable Length	23 in
Main connector	24 Pins
4 pin 12V	1
8 pin connector	1
4 pin Peripheral	10
4 pin Floppy	2
SATA connector	2
6 pin PCI-E	2

#### Dimension

D x W x H	220x150x86 mm / 8.7 x 5.9 x 3.4 inch
Net Weight	5.5 lb
Safety Standards	UI60950
MTBF	100,000 hours at full load and 25°C ambient temperature

- Operation Temperature: 0°C to 50°C
- Humidity: 5 to 90% non-condensing.
- Specification and wiring diagram subject to change without notice.

### - INTRODUCTION -

Industrial EPS 12V and ATX 12V TC-XXXPL Series switching power supply. Deliver precision power from 350 watts to 1000watts for all your application needs. Standard feature include triple circuit protection, nickel plated enclosure, and PFC. Performance PC need a powerful power supply.

### - FEATURES -

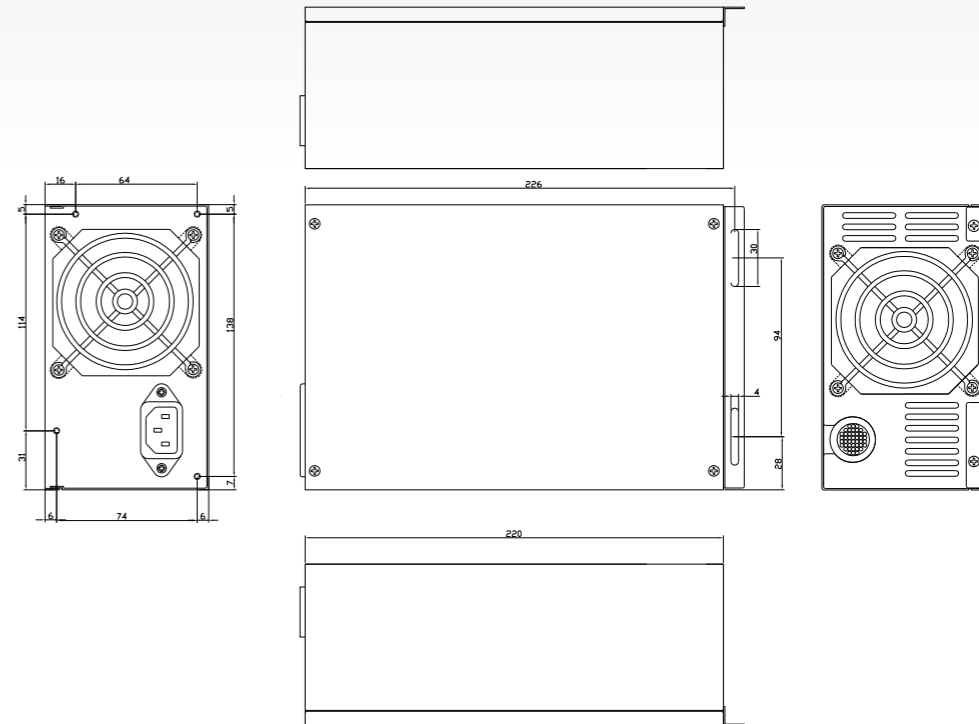
- Power range auto select
- Over Power Protection
- Over Voltage Protection
- Short Circuits Protection
- 16ms Hold Up Time
- Active PFC for energy saving and high performance
- Nickel Plated enclosure to provide Corrosion Resistance

# TC-1000PL

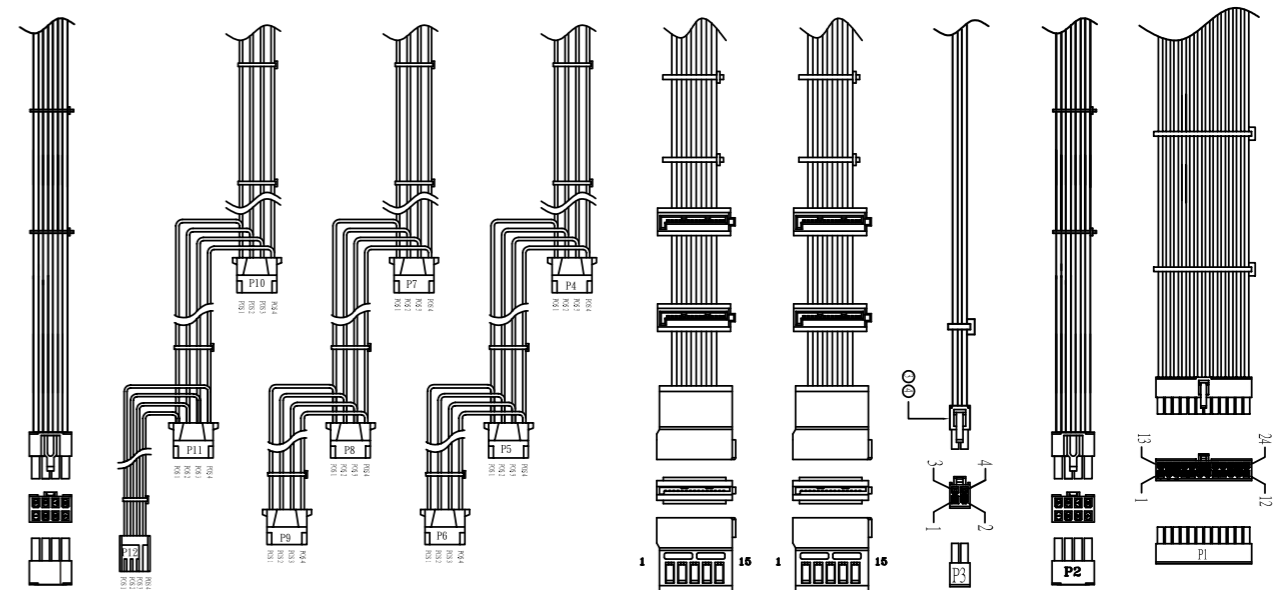
## ATX Switching Power Supply



### - MECHANICAL DRAWING -



### - PINOUTS OF CONNECTORS -



X 4