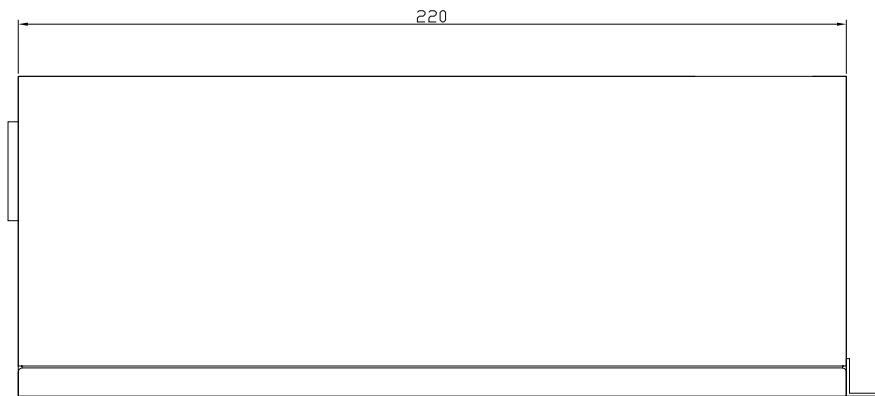
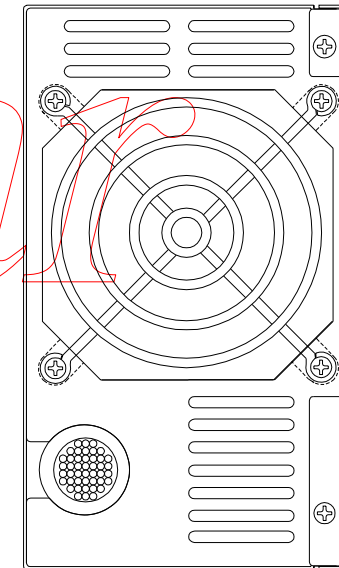
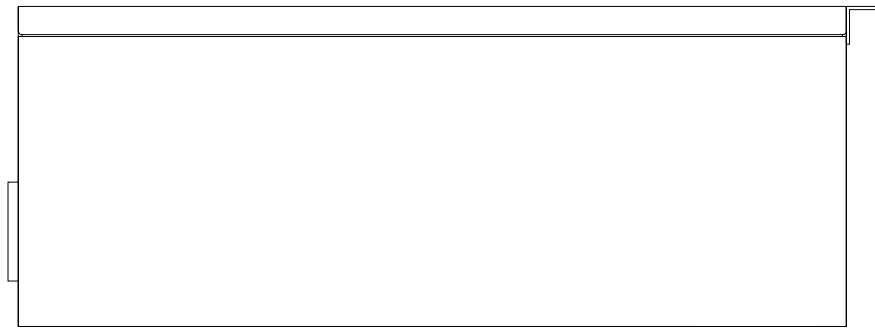
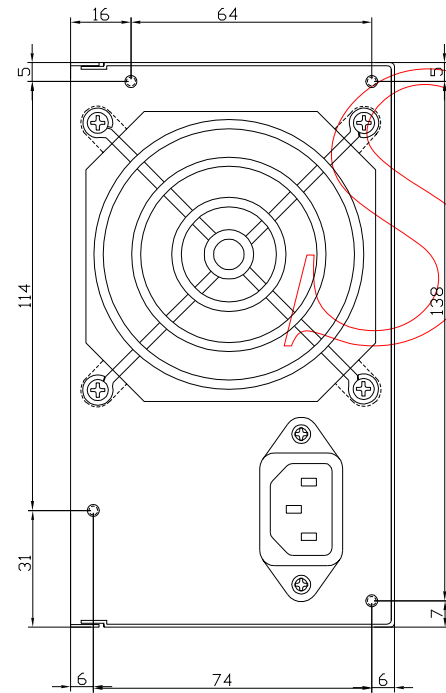


REVISIONS			
REV	DESCRIPTION	SIGN	DATE



TOLERANCES		MATERIAL		UNIT		PART NO.	
.X=	+/- 0.25	REMARK		SCLAE		MODEL	
.XX=	+/- 0.100	APPD	CKD	DRAWN	DWG NO.	NAME	
					SHEET		
					DATE	<b>Sure Star</b>	

**TC-xxxPL**



**Sure Star**