



SURE STAR COMPUTER CO., LTD

NO. 2-1, DAAN ROAD, SHULIN CITY TAIPEI 238 , TAIWAN.

E-mail: info@surestar.com.tw

Tel: +886 2 2682 2505

http: //www.surestar.com.tw

Fax: +886 2 2682 2515

Model: TC-1000PL (ATX PS II 1000W)

1. Specification

AC Input Voltage: 90~264V (Active PFC) Frequency: 47 to 63 Hz..

DC Output: 1000W maximum

	Output	Output	Output	Output	Output
Voltage:	+5V DC	+12V DC	-5V DC	-12V DC	+3.3V DC
Maximum Load:	35A	V1:16A / V2:16A V3:16A / V4:16A	0.8A	1A	30A
Minimum Load:	0.2A	V1:0.5A / V2:0.5A V3:0.5A / V4:0.5A	0.1A	0.1A	0.5A
Ripple:	50mv	120mv	50mv	120mv	40mv
Ripple/Noise:	100mv	150mv	100mv	240mv	40mv
Line Regulation:	±1%	±1%	±1%	±1%	±1%
Output Regulation:	±5%	±6%	±10%	±10%	±5%
Cross Regulation:	±5%	±6%	±10%	±10%	±5%

+5VSB : 3A

2. Hold-up time (Typ.): 16ms at maximum load & normal input voltage

3. RISE TIME: 20ms at full Load

4. Efficiency: 78% TYPICAL (Normal Line)

5. FUNCTION

5.1 REMOTE ON/OFF CONTROL : Power off: PS-ON = 2V min.

Power on: PS-ON = 0.8V max.

5.2 POWER GOOD SIGNAL : ON DELAY 100 ms ~ 500 ms

5.3 POWER FAIL DELAY: > 1msec.

6. PROTECTION

6.1 OVER VOLTAGE PROTECTION : +3.3V Output 4.1Vdc max.
+5V Output 6.5Vdc max.
+12V Output 14.3Vdc max.

6.2 OVER CURRENT PROTECTION: Not over 240VA for every output voltage.

6.3 SHORT CIRCUIT PROTECTION : All output equipped with short circuit.
(Shut down o/p voltage, re-power on to recover)

7. SAFETY & EMC

7.1 SAFETY STANDARDS:

MEET CUL UL 60950-1

MEET CB IEC60950-1

7.2 WITHSTAND VOLTAGE: I/P-O/P:1.5KVAC I/P-FG:1.5KVAC

7.3 ISOLATION RESISTANCE: I/P-O/P,I/P-FG,O/P-FG: 500VDC , 50M ohms min.

7.4 EMI CONDUCTION: Compliance CISPR22 Class B, FCC Class B

7.5 HARMONIC CURRENT: Compliance EN61000-3-2,-3

8. ENVIRONMENTS

8.1 Operating Temperature: 0°C to +40°C

8.2 Storage Temperature : -20°C to +70°C

8.3 OPERATING HUMIDITY : 20% to 90%,non-condensing

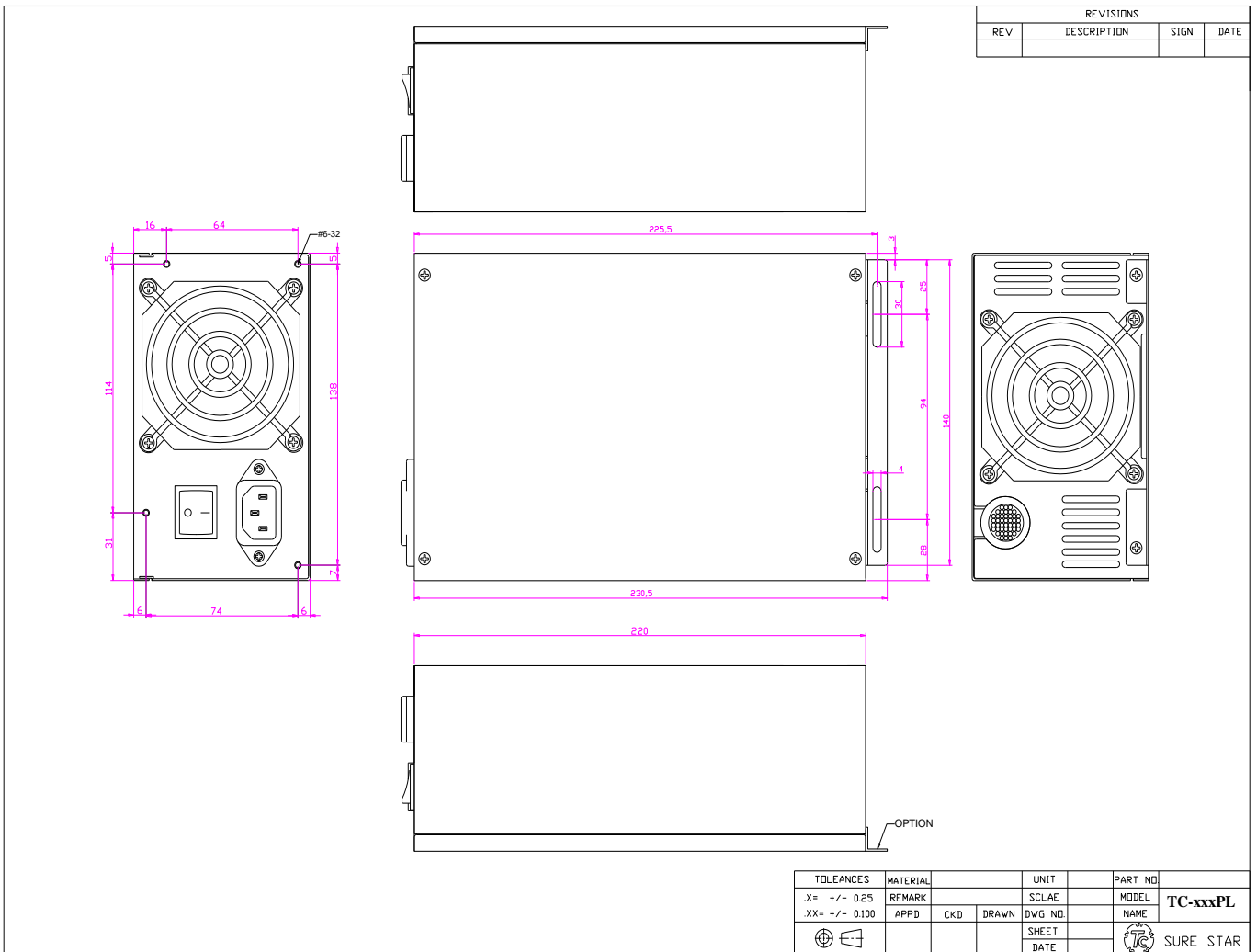
8.4 STORAGE HUMIDITY: 5% to 95%, non-condensing

9. OTHERS

7.1 MTBF: 100K hrs min. MIL-HDBK-217F ,Notice2, (25°C)

10. DIMENSION

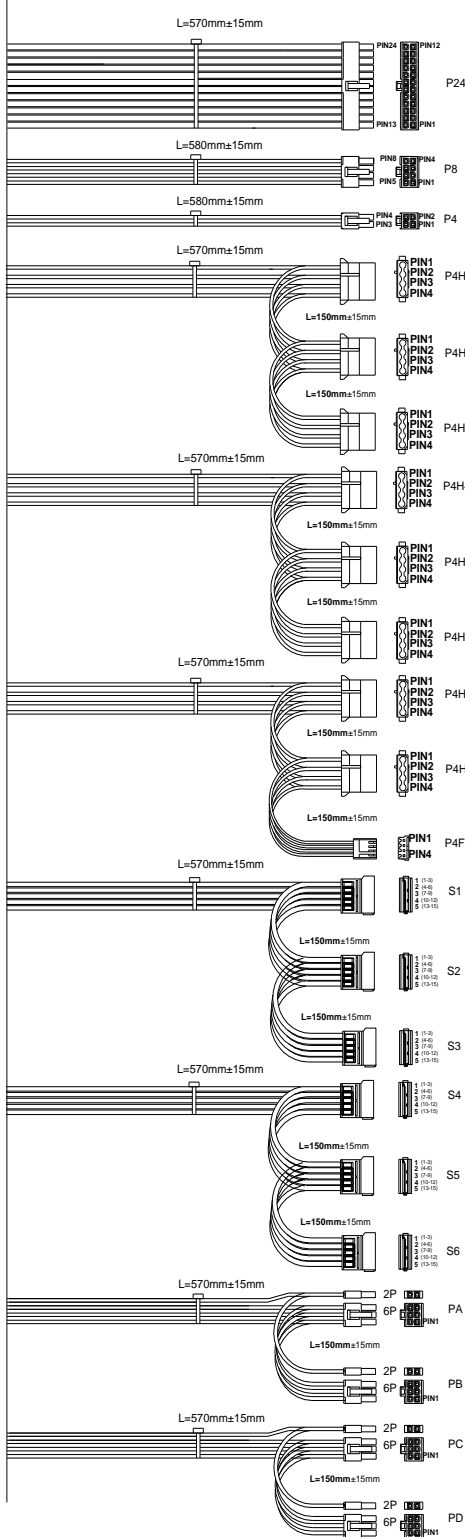
L 220 x W 150 x H 86 mm



11. PINOUTS OF CONNECTORS

- Main power connector 24 Pin x 1 ,
- M8P +12V Power Connector x 1 ,
- M4P +12V Power Connector x 1
- Peripheral power connector x 8 ,
- Floppy Drive connector x 1,
- Serial ATA power connector x 6.
- PCI-Express (6+2) pin connector x 4

WIRE OUTPUT OF PSU CASE



REVISIONS			
REV	DESCRIPTION	SIGN	DATE
03			//

24Pins(EPS12V)
 Connector HOUSING: MOLEX 39-01-2240 or equivalent
 TERMINAL: MOLEX 39-00-0039 or equivalent

Housing No.	WIRE COLOR	LENGTH	WIRE No.	WIRE COLOR	LENGTH
1	PURPLE(+3.3V)	13	13	PURPLE(+3.3V)	13
2	PURPLE(+3.3V)	14	14	RED(+5V)	14
3	BLACK(GND)	15	15	BLACK(GND)	15
4	RED(+5V)	16	16	BLACK(GND)	16
5	BLACK(GND)	17	17	BLACK(GND)	17
6	RED(+5V)	18	18	BLACK(GND)	18
7	BLACK(GND)	19	19	BLACK(GND)	19
8	ORANGE(+5V)	20	20	WHITE(+5V)	20
9	BROWN(+5V)	21	21	RED(+5V)	21
10	YELLOW(+12V)	22	22	RED(+5V)	22
11	YELLOW(+12V)	23	23	RED(+5V)	23
12	PURPLE(+3.3V)	24	24	BLACK(GND)	24

8Pins(EPS12V)
 Connector HOUSING: MOLEX 39-01-0280 or equivalent
 TERMINAL: MOLEX 39-00-0060 or equivalent

Housing No.	WIRE COLOR	SIGNAL	WIRE TYPE	LENGTH
1	BLACK	COM	18AWG	580mm ±15mm
2	BLACK	COM	18AWG	
3	BLACK	COM	18AWG	
4	BLACK	COM	18AWG	
5	YELLOW	+12V	18AWG	
6	YELLOW	+12V	18AWG	
7	YELLOW	+12V	18AWG	
8	YELLOW	+12V	18AWG	

4Pins(ATX12V FOR P4)
 Connector HOUSING: MOLEX 39-01-0280 or equivalent
 TERMINAL: MOLEX 39-00-0060 or equivalent

Housing No.	WIRE COLOR	SIGNAL	WIRE TYPE	LENGTH
1	BLACK	COM	18AWG	580mm ±15mm
2	BLACK	COM	18AWG	
3	YELLOW	+12V	18AWG	
4	YELLOW	+12V	18AWG	

8Pins(FLYBACK/P5B/P5C)
 Connector HOUSING: AMP 60619-4 or equivalent
 TERMINAL: AMP 60619-4 or equivalent
4Pins(FLOPPY DISK PAF)
 Connector HOUSING: AMP 171822-4 or equivalent
 TERMINAL: AMP 170202-2 or equivalent

Housing No.	WIRE COLOR	SIGNAL	WIRE SIZE	LENGTH
P4H1	1	YELLOW	+12V 18AWG	150mm ±15mm
P4H2	2	BLACK	COM 18AWG	
P4H3	3	BLACK	COM 18AWG	
P4H4	4	BLACK	COM 18AWG	
P4H5	1	YELLOW	+12V 18AWG	
P4H6	2	BLACK	COM 18AWG	
P4H7	3	BLACK	COM 18AWG	
P4H8	4	RED	+5V 18AWG	

S.ATA-570L+ S.ATA-150L+ S.ATA-150L

HOUSING	PIN No.	WIRE COLOR	LENGTH
S1 S4	1	Orange/Orange	200mm±15mm
	2	BLACK/BLACK	200mm±15mm
	3	Red / Red	200mm±15mm
	4	Black/Black	200mm±15mm
	5	Orange/Orange	200mm±15mm
S2 S5	1	Orange/Orange	200mm±15mm
	2	BLACK	200mm±15mm
	3	RED	200mm±15mm
	4	BLACK	200mm±15mm
	5	YELLOW	200mm±15mm
S3 S6	1	Orange/Orange	200mm±15mm
	2	BLACK/BLACK	200mm±15mm
	3	Red / Red	200mm±15mm
	4	Black/Black	200mm±15mm
	5	Orange/Orange	200mm±15mm

8Pins+2Pins
 Connector HOUSING: MOLEX 39-01-0280 or equivalent
 TERMINAL: MOLEX 39-00-0060 or equivalent

Housing No.	WIRE COLOR	SIGNAL	WIRE TYPE	LENGTH
PA	1	BLACK	COM 18AWG	570mm ±15mm
	2	BLACK	COM 18AWG	
	3	BLACK	COM 18AWG	
	4	YELLOW	+12V 18AWG	
	5	YELLOW	+12V 18AWG	
PC	1	BLACK	COM 18AWG	570mm ±15mm
	2	BLACK	COM 18AWG	

Housing No.	WIRE COLOR	SIGNAL	WIRE TYPE	LENGTH
PB	1	BLACK	COM 18AWG	150mm ±15mm
	2	BLACK	COM 18AWG	
	3	BLACK	COM 18AWG	
	4	YELLOW	+12V 18AWG	
	5	YELLOW	+12V 18AWG	
	6	YELLOW	+12V 18AWG	
PD	1	BLACK	COM 18AWG	150mm ±15mm
	2	BLACK	COM 18AWG	

TC-900/1000PL 外露輸出線
 M24P+M4P+M8P+8大+1小
 +(6*SATA)+PCI-E(4*6+2)*P

REV. 03	DATE: 2016.12.20	DESIGNER: [Signature]	DATE: 2016.12.20	DESIGNER: [Signature]
REV. 03	DATE: 2016.12.20	DESIGNER: [Signature]	DATE: 2016.12.20	DESIGNER: [Signature]

Note: Specification and wiring diagram subject to change without notice.