



TC-500R8A

PS2 Mini Redundant Power Supply



Features

- 500+500 watts total output power
- Over Power Protection
- Over Voltage Protection
- Short Circuits Protection
- Hot-Swappable PSU Zero down time
- Load Sharing design for smart stress and heat distribution Patent no. 136053
- 16ms Hold Up Time



Introduction

Introduce the true dual AC input Mini Redundant Power Supply. The TC-500R8A has full redundancy function even with only one AC source. It has standard PFC, hot swappable power modules and load sharing capability. High performance cooling system with 4 fans and air cell vent.

Electrical Specifications

Specification

Model	TC-500R8A
Form Factor	EPS 12V
Input Voltage	90~132V/ 180~264V Auto Select
Input Frequency	47Hz~63Hz

Output Rating

Total Watts	500 watts
+5V	42A
+12V	28A
+3.3V	24A
+5V & +3.3V	210 watts
+5V & +3.3V & +12V	475 watts
PFC	Passive
Efficiency	≥70%
Regulation	±5%

- Operation Temperature: 0°C to 50°C
- Humidity: 5 to 90% non-condensing.
- Specification and wiring diagram subject to change without notice.

Connectors

Cable Length	19 in
Main connector	24 Pins
4 pin 12V	1
8 pin connector	1
4 pin Peripheral connector	11
4 pin Floppy connector	1

Dimension

DxWxH(mm)	200x150x86
Net Weight	10.1 lb
Safety/EMI/RFI	FCC-B, UL1950/6950 CB, TUV EN 60950 IEC950/1000 EN55022 CISPR 22 EN61000 ISO9001
MTBF	100,000 hours at full load and 25°C ambient temperature

TC-500R8A

PS2 Mini Redundant Power Supply

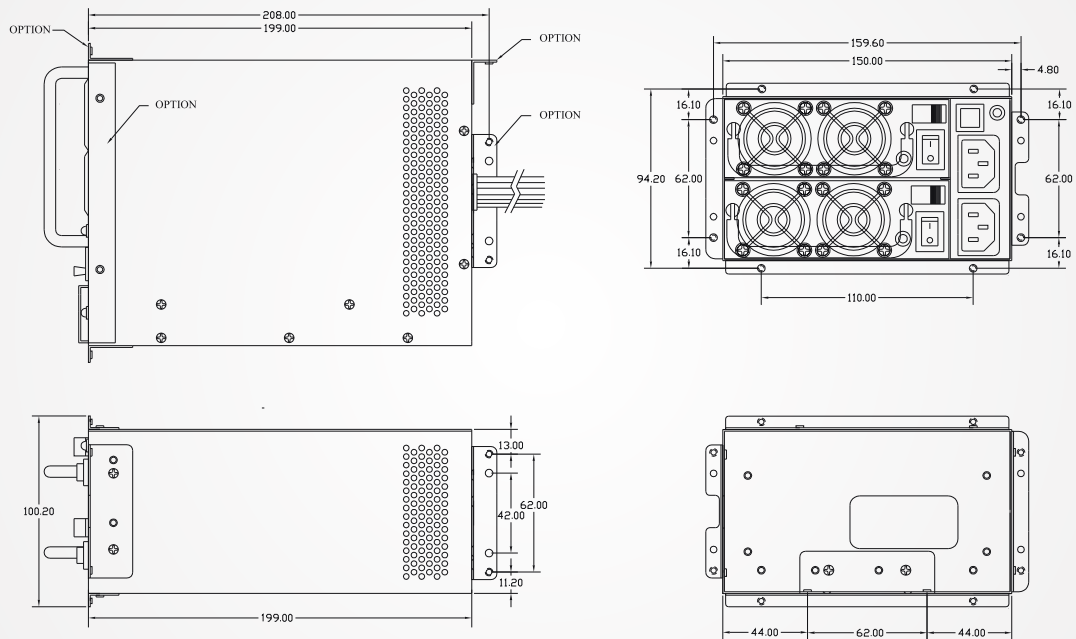
Application ▶

SERVER

STORAGE

WORKSTATION

• Mechanical Drawing •



• Pinouts Of Connectors •

