



# TC-500R8A

PS2 Mini Redundant Power Supply

# TC-500R8A

PS2 Mini Redundant Power Supply



EPS  
12V

ATX  
12V

## - ELECTRICAL SPECIFICATIONS -

Specification	
Form Factor	EPS 12V
Input Voltage	90~132V/180~264V Auto Select
Input Frequency	47Hz~63Hz

Output Rating	
Total Watts	500 watts
+5V	42A
+12V	28A
+3.3V	24A
+5V & +3.3V	210 watts
+5V & +3.3V & +12V	475 watts
Voltage Regulation	±5%
PFC	Passive
Efficiency	≈70%

Connectors	
Cable Length	19 in
Main connector	24 Pins
4 pin 12V	1
8 pin connector	1
4 pin Peripheral	11
4 pin Floppy	1

Dimension	
D x W x H	200x150x86 mm / 7.8 x 5.9 x 3.4 inch
Net Weight	10.1 lb
Safety/EMI/RFI	FCC-B,UL1950/6950 CB,TUV EN 60950 IEC950/1000 EN55022 CISPR22 EN61000 ISO9001
MTBF	100,000 hours at full load and 25°C ambient temperature

- Operation Temperature: 0°C to 50°C
- Humidity: 5 to 90% non-condensing.
- Specification and wiring diagram subject to change without notice.

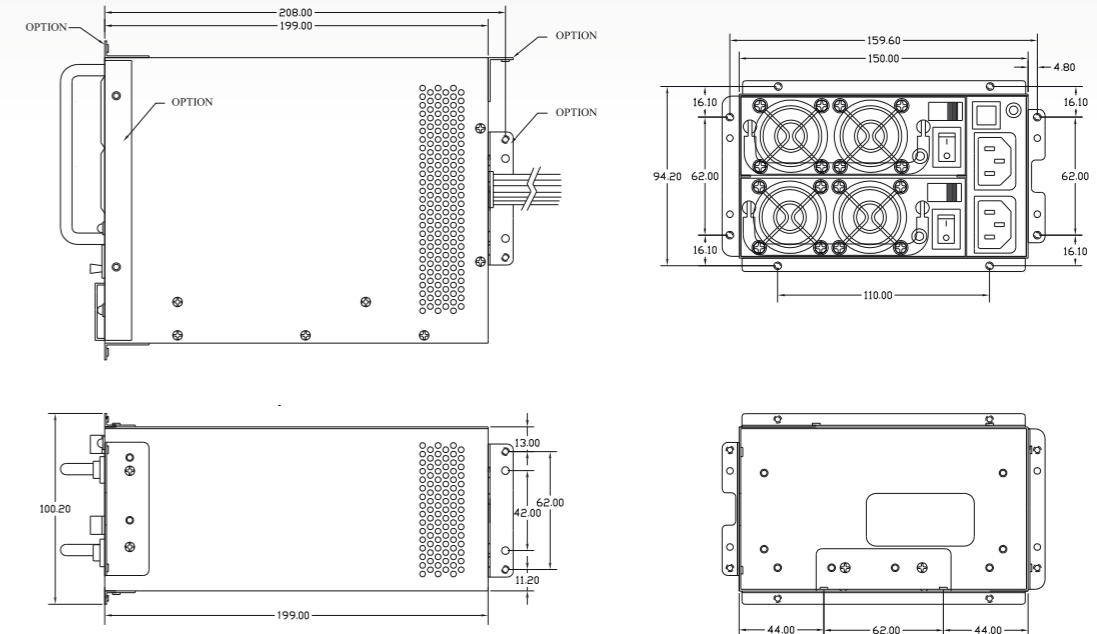
## - INTRODUCTION -

Introduce the true dual AC input Mini Redundant Power Supply. The TC-500R8A has full redundancy function even with only one AC source. It has standard PFC, hot swappable power modules and load sharing capability. High performance cooling system with 4 fans and air cell vent.

## - FEATURES -

- 500+500 watts total output power
- Over Power Protection
- Over Voltage Protection
- Short Circuits Protection
- Hot-Swappable PSU Zero down time
- Load Sharing design for smart stress and heat distribution Patent no. 136053
- 16ms Hold Up Time

## - MECHANICAL DRAWING -



## - PINOUTS OF CONNECTORS -

